

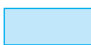


Semi-hermetic Bock Compressors

Single-stage and Two-stage Reciprocating Compressors HG (HA)

| R134a | | Performance data | | | | | | | | | | 50 Hz | | |
|-------------|----------------|------------------|----------------------------------|--------|--------|--------|--------|--------|------------------------------|-------|-------|-------|-------|--|
| Type | Cond. temp. °C | | Cooling capacity \dot{Q}_o [W] | | | | | | Power consumption P_e [kW] | | | | | |
| | | | Evaporating temperature °C | | | | | | | | | | | |
| | | | 12,5 | 10 | 7,5 | 5 | 0 | -5 | -10 | -15 | -20 | -25 | -30 | |
| HGX7/1860-4 | 30 | Q | 139469 | 127396 | 116108 | 105573 | 86635 | 70327 | 56394 | 44583 | 34639 | 26307 | 19334 | |
| | | P | 18,89 | 19,20 | 19,34 | 19,32 | 18,90 | 18,01 | 16,78 | 15,29 | 13,66 | 11,98 | 10,37 | |
| | 40 | Q | 125034 | 113989 | 103680 | 94075 | 76853 | 62067 | 49463 | 38787 | 29784 | 22201 | 15782 | |
| | | P | 24,14 | 24,00 | 23,72 | 23,31 | 22,15 | 20,62 | 18,84 | 16,90 | 14,91 | 12,96 | 11,17 | |
| | 50 | Q | 110190 | 100194 | 90887 | 82236 | 66775 | 53557 | 42327 | 32832 | 24817 | 18027 | 12208 | |
| | | P | 28,92 | 28,36 | 27,68 | 26,89 | 25,05 | 22,94 | 20,65 | 18,31 | 16,00 | 13,83 | 11,91 | |
| 60 | Q | 94985 | 86063 | 77780 | 70105 | 56451 | 44847 | 35037 | 26768 | 19786 | 13835 | 8662 | | |
| | P | 33,13 | 32,18 | 31,12 | 29,99 | 27,51 | 24,86 | 22,13 | 19,42 | 16,85 | 14,51 | 12,50 | | |
| 70 | Q | 79471 | 71645 | 64409 | 57733 | 45932 | 35987 | 27643 | 20646 | 14742 | | | | |
| | P | 36,71 | 35,38 | 33,98 | 32,51 | 29,45 | 26,31 | 23,18 | 20,16 | 17,37 | | | | |
| HGX7/2110-4 | 30 | Q | 158685 | 144949 | 132106 | 120119 | 98571 | 80016 | 64164 | 50725 | 39411 | 29932 | 21997 | |
| | | P | 21,49 | 21,84 | 22,00 | 21,99 | 21,50 | 20,49 | 19,09 | 17,40 | 15,54 | 13,64 | 11,80 | |
| | 40 | Q | 142261 | 129694 | 117965 | 107037 | 87442 | 70618 | 56278 | 44131 | 33888 | 25259 | 17956 | |
| | | P | 27,47 | 27,31 | 26,99 | 26,52 | 25,20 | 23,47 | 21,44 | 19,23 | 16,96 | 14,75 | 12,71 | |
| | 50 | Q | 125371 | 113999 | 103409 | 93566 | 75975 | 60936 | 48159 | 37356 | 28236 | 20510 | 13890 | |
| | | P | 32,90 | 32,26 | 31,49 | 30,59 | 28,50 | 26,10 | 23,50 | 20,83 | 18,20 | 15,74 | 13,55 | |
| 60 | Q | 108072 | 97921 | 88497 | 79764 | 64229 | 51026 | 39864 | 30456 | 22512 | 15741 | 9855 | | |
| | P | 37,70 | 36,61 | 35,41 | 34,12 | 31,30 | 28,28 | 25,18 | 22,10 | 19,17 | 16,50 | 14,22 | | |
| 70 | Q | 90421 | 81516 | 73284 | 65688 | 52260 | 40945 | 31451 | 23490 | 16773 | | | | |
| | P | 41,77 | 40,25 | 38,66 | 36,99 | 33,51 | 29,93 | 26,37 | 22,94 | 19,77 | | | | |
| HGX8/2470-4 | 30 | Q | 180980 | 165373 | 150688 | 136898 | 111894 | 90139 | 71410 | 55486 | 42145 | 31167 | 22328 | |
| | | P | 28,60 | 28,57 | 28,38 | 28,02 | 26,89 | 25,25 | 23,21 | 20,85 | 18,25 | 15,51 | 12,72 | |
| | 40 | Q | 162981 | 148715 | 135302 | 122715 | 99905 | 80064 | 62970 | 48402 | 36137 | 25955 | 17633 | |
| | | P | 36,03 | 35,34 | 34,51 | 33,54 | 31,25 | 28,57 | 25,98 | 22,37 | 19,02 | 15,64 | 12,30 | |
| | 50 | Q | 143344 | 130506 | 118452 | 107152 | 86709 | 68954 | 53667 | 40626 | 29610 | 20396 | 12762 | |
| | | P | 42,17 | 40,85 | 39,41 | 37,87 | 34,51 | 30,85 | 26,99 | 23,01 | 18,99 | 15,03 | 11,22 | |
| 60 | Q | 122458 | 111134 | 100523 | 90598 | 72692 | 57197 | 43889 | 32547 | 22950 | 14877 | 8104 | | |
| | P | 47,04 | 45,14 | 43,14 | 41,06 | 36,70 | 32,14 | 27,48 | 22,80 | 18,19 | 13,73 | 9,53 | | |
| 70 | Q | 100710 | 90986 | 81905 | 73439 | 58244 | 45179 | 34022 | 24552 | 16547 | | | | |
| | P | 50,70 | 48,24 | 45,72 | 43,14 | 37,86 | 32,48 | 27,09 | 21,79 | 16,65 | | | | |
| HGX8/2830-4 | 30 | Q | 210768 | 192307 | 174998 | 158801 | 129576 | 104304 | 82654 | 64297 | 48905 | 36146 | 25692 | |
| | | P | 35,60 | 35,08 | 34,39 | 33,54 | 31,42 | 28,87 | 26,05 | 23,09 | 20,14 | 17,35 | 14,88 | |
| | 40 | Q | 189115 | 172156 | 156289 | 141473 | 114827 | 91890 | 72331 | 55821 | 42031 | 30631 | 21293 | |
| | | P | 41,56 | 40,50 | 39,29 | 37,95 | 34,95 | 31,67 | 28,23 | 24,80 | 21,51 | 18,52 | 15,96 | |
| | 50 | Q | 166558 | 151192 | 136858 | 123512 | 99626 | 79203 | 61916 | 47433 | 35427 | 25566 | 17523 | |
| | | P | 47,26 | 45,66 | 43,95 | 42,14 | 38,31 | 34,32 | 30,32 | 26,45 | 22,86 | 19,69 | 17,10 | |
| 60 | Q | 143108 | 129426 | 116713 | 104929 | 83982 | 66256 | 51419 | 39145 | 29102 | 20961 | 14394 | | |
| | P | 52,79 | 50,68 | 48,49 | 46,23 | 41,61 | 36,96 | 32,42 | 28,16 | 24,30 | 21,00 | 18,41 | | |
| 70 | Q | 118776 | 106867 | 95867 | 85734 | 67907 | 53056 | 40852 | 30965 | 23067 | | | | |
| | P | 58,28 | 55,68 | 53,02 | 50,34 | 44,96 | 39,69 | 34,66 | 30,03 | 25,95 | | | | |
| HGX8/3220-4 | 30 | Q | 239807 | 218802 | 199109 | 180680 | 147429 | 118675 | 94042 | 73156 | 55642 | 41126 | 29232 | |
| | | P | 40,50 | 39,92 | 39,13 | 38,16 | 35,75 | 32,85 | 29,63 | 26,27 | 22,92 | 19,75 | 16,93 | |
| | 40 | Q | 215170 | 195875 | 177822 | 160965 | 130648 | 104550 | 82296 | 63512 | 47822 | 34852 | 24226 | |
| | | P | 47,29 | 46,08 | 44,70 | 43,17 | 39,77 | 36,03 | 32,12 | 28,22 | 24,47 | 21,07 | 18,16 | |
| | 50 | Q | 189506 | 172023 | 155713 | 140530 | 113352 | 90116 | 70446 | 53969 | 40308 | 29089 | 19937 | |
| | | P | 53,77 | 51,95 | 50,00 | 47,94 | 43,59 | 39,05 | 34,50 | 30,09 | 26,01 | 22,41 | 19,46 | |
| 60 | Q | 162825 | 147258 | 132794 | 119386 | 95553 | 75384 | 58504 | 44538 | 33111 | 23849 | 16377 | | |
| | P | 60,06 | 57,66 | 55,17 | 52,60 | 47,34 | 42,05 | 36,89 | 32,04 | 27,65 | 23,90 | 20,95 | | |
| 70 | Q | 135141 | 121591 | 109075 | 97546 | 77263 | 60366 | 46481 | 35232 | 26245 | | | | |
| | P | 66,32 | 63,35 | 60,33 | 57,28 | 51,16 | 45,15 | 39,44 | 34,17 | 29,53 | | | | |

Relating to 25 °C suction gas temperature
(HGX8/2470-4 to 20 °C suction gas temperature)
without liquid subcooling

 Supplementary cooling or reduced suction gas temp.

| R404A/R507 | | Performance data | | | | | | | | | | | 50 Hz | |
|--|----------------|------------------|----------------------------------|--------|--------|--------|--------|--------|--------|-------|-------|-------|------------------------------|-------|
| Type | Cond. temp. °C | Q P | Cooling capacity \dot{Q}_0 [W] | | | | | | | | | | Power consumption P_e [kW] | |
| | | | Evaporating temperature °C | | | | | | | | | | | |
| | | | 7,5 | 5 | 0 | -5 | -10 | -15 | -20 | -25 | -30 | -35 | -40 | -45 |
| HGX6/1240-4 ¹⁾ HGX6/1240-4 S ¹⁾ | 30 | Q | 133368 | 122554 | 102765 | 83399 | 68935 | 56229 | 45169 | 35643 | 27538 | 20744 | 15146 | 10634 |
| | | P | 27,78 | 27,28 | 26,04 | 23,70 | 22,26 | 20,54 | 18,62 | 16,56 | 14,43 | 12,29 | 10,21 | 8,25 |
| | 40 | Q | 113720 | 104299 | 87122 | 71042 | 58440 | 47422 | 37874 | 29684 | 22741 | 16931 | 12143 | 8265 |
| | P | 33,36 | 32,38 | 30,24 | 27,42 | 25,14 | 22,68 | 20,13 | 17,53 | 14,97 | 12,49 | 10,17 | 8,08 | |
| | 50 | Q | 94323 | 86295 | 71734 | 58323 | 47668 | 38420 | 30468 | 23698 | 17998 | 13257 | 9362 | |
| | P | 38,27 | 36,83 | 33,86 | 30,45 | 27,41 | 24,30 | 21,19 | | 18,14 | 15,22 | 12,49 | 10,02 | |
| HAX6/1240-4 | 30 | Q | | | | | | | | 38742 | 30407 | 23329 | 17378 | 12423 |
| | | P | | | | | | | | 17,00 | 14,83 | 12,74 | 10,72 | 8,75 |
| | 40 | Q | | | | | | | | | 25193 | 19081 | 13958 | 9695 |
| | P | | | | | | | | | 15,43 | 13,01 | 10,69 | 8,48 | |
| | 50 | Q | | | | | | | | | 15126 | 10835 | 7265 | |
| | P | | | | | | | | | | 13,08 | 10,49 | 8,05 | |
| HGX6/1410-4 ¹⁾ HGX6/1410-4 S ¹⁾ | 30 | Q | | | 112574 | 94071 | 76961 | 63138 | 51088 | 40671 | 31748 | 24176 | 17817 | 12528 |
| | | P | | | 28,95 | 27,60 | 26,50 | 24,11 | 21,69 | 19,26 | 16,84 | 14,43 | 12,06 | 9,73 |
| | 40 | Q | | | 96228 | 80122 | 65316 | 53413 | 43056 | 34104 | 26417 | 19854 | 14276 | 9540 |
| | P | | | 33,76 | 31,54 | 30,24 | 26,98 | 23,78 | 20,67 | 17,65 | 14,74 | 11,96 | 9,32 | |
| | 50 | Q | | | 79925 | 66235 | 53148 | 43254 | 34677 | 27278 | 20915 | 15450 | 10739 | |
| | P | | | 37,91 | 34,88 | 33,29 | 29,21 | 25,29 | 21,54 | 17,98 | 14,63 | 11,49 | | |
| HAX6/1410-4 | 30 | Q | | | | | | | | | 33768 | 25918 | 19311 | 13807 |
| | | P | | | | | | | | | 16,48 | 14,13 | 11,86 | 9,68 |
| | 40 | Q | | | | | | | | | | 21163 | 15482 | 10756 |
| | P | | | | | | | | | | 14,43 | 11,83 | 9,36 | |
| | 50 | Q | | | | | | | | | | 16757 | 12003 | 8054 |
| | P | | | | | | | | | | | 14,53 | 11,62 | 8,90 |
| HGX7/1620-4 ¹⁾ HGX7/1620-4 S ¹⁾ | 30 | Q | 163130 | 150297 | 126636 | 106031 | 87518 | 71107 | 56728 | 44306 | 33770 | 25047 | 18065 | 12751 |
| | | P | 32,39 | 32,05 | 30,98 | 30,00 | 28,31 | 26,22 | 23,83 | 21,24 | 18,56 | 15,88 | 13,30 | 10,93 |
| | 40 | Q | 139724 | 128531 | 107945 | 89756 | 73736 | 59585 | 47232 | 36603 | 27628 | 20232 | 14343 | 9890 |
| | P | 38,16 | 37,38 | 35,48 | 34,27 | 31,69 | 28,79 | 25,68 | 22,46 | 19,22 | 16,08 | 13,12 | 10,45 | |
| | 50 | Q | 115792 | 106272 | 88826 | 73671 | 60144 | 48254 | 37928 | 29093 | 21678 | 15609 | 10816 | |
| | P | 43,47 | 42,23 | 39,46 | 37,57 | 34,13 | 30,47 | 26,68 | 22,85 | 19,10 | 15,52 | 12,22 | | |
| HGX7/1860-4 ¹⁾ HGX7/1860-4 S ¹⁾ | 30 | Q | 184191 | 169853 | 143432 | 119116 | 98208 | 79858 | 63906 | 50195 | 38563 | 28854 | 20907 | 14563 |
| | | P | 37,41 | 37,14 | 36,15 | 35,68 | 32,91 | 30,00 | 27,00 | 23,95 | 20,89 | 17,88 | 14,95 | 12,15 |
| | 40 | Q | 157436 | 144933 | 121960 | 100333 | 82508 | 66907 | 53368 | 41734 | 31846 | 23543 | 16668 | 11061 |
| | P | 45,37 | 44,40 | 42,11 | 39,79 | 36,14 | 32,43 | 28,71 | 25,02 | 21,40 | 17,91 | 14,59 | 11,48 | |
| | 50 | Q | 130989 | 120333 | 100832 | 82100 | 67304 | 54394 | 43213 | 33601 | 25399 | 18448 | 12589 | |
| | P | 51,97 | 50,38 | 46,93 | 43,28 | 38,81 | 34,37 | 29,99 | 25,73 | 21,63 | 17,73 | 14,08 | | |
| HGX7/2110-4 ¹⁾ HGX7/2110-4 S ¹⁾ | 30 | Q | 201969 | 186202 | 157288 | 130628 | 108549 | 89073 | 72027 | 57236 | 44527 | 33724 | 24655 | 17144 |
| | | P | 46,49 | 45,47 | 43,22 | 40,64 | 37,84 | 34,82 | 31,63 | 28,33 | 24,95 | 21,53 | 18,14 | 14,81 |
| | 40 | Q | 173523 | 159904 | 134971 | 112651 | 93282 | 76227 | 61312 | 48362 | 37205 | 27665 | 19568 | 12741 |
| | P | 54,03 | 52,52 | 49,31 | 45,59 | 41,96 | 38,14 | 34,18 | 30,13 | 26,03 | 21,92 | 17,87 | 13,90 | |
| | 50 | Q | 144329 | 132872 | 111953 | 93475 | 77007 | 62564 | 49972 | 39055 | 29641 | 21555 | 14623 | |
| | P | 60,77 | 58,78 | 54,63 | 49,93 | 45,43 | 40,76 | 35,99 | 31,14 | 26,28 | 21,44 | 16,68 | | |
| HGX7/2470-4 ¹⁾ HGX7/2470-4 S ¹⁾ | 30 | Q | 254335 | 233623 | 195759 | 157695 | 130257 | 106132 | 85092 | 66910 | 51360 | 38215 | 27249 | 18235 |
| | | P | 53,08 | 52,10 | 49,73 | 47,03 | 43,16 | 39,21 | 35,21 | 31,15 | 27,05 | 22,90 | 18,73 | 14,53 |
| | 40 | Q | 216832 | 198811 | 165981 | 135212 | 111218 | 90157 | 71803 | 55931 | 42312 | 30721 | 20931 | 12715 |
| | P | 62,30 | 60,54 | 56,70 | 52,81 | 47,88 | 42,92 | 37,94 | 32,95 | 27,94 | 22,94 | 17,95 | 12,98 | |
| | 50 | Q | 179905 | 164564 | 136749 | 111576 | 91145 | 73270 | 57724 | 44281 | 32715 | 22799 | 14305 | |
| | P | 70,32 | 67,83 | 62,61 | 57,36 | 51,37 | 45,38 | 39,41 | 33,47 | 27,56 | 21,69 | 15,87 | | |
| HGX8/2830-4 ¹⁾ HGX8/2830-4 S ¹⁾ | 30 | Q | 280334 | 258363 | 218657 | 182105 | 149962 | 121929 | 97702 | 76982 | 59466 | 44852 | 32841 | 23130 |
| | | P | 58,49 | 57,89 | 57,29 | 54,05 | 50,41 | 46,43 | 42,19 | 37,75 | 33,17 | 28,54 | 23,91 | 19,37 |
| | 40 | Q | 240502 | 221237 | 187179 | 155251 | 127305 | 103039 | 82152 | 64342 | 49308 | 36749 | 26363 | 17849 |
| | P | 70,92 | 69,19 | 66,01 | 61,11 | 55,95 | 50,60 | 45,12 | 39,59 | 34,06 | 28,62 | 23,33 | 18,26 | |
| | 50 | Q | 200747 | 184227 | 155772 | 128523 | 104826 | 84382 | 66888 | 52043 | 39545 | 29094 | 20387 | |
| | P | 81,06 | 78,33 | 73,50 | 67,07 | 60,51 | 53,90 | 47,31 | 40,80 | 34,45 | 28,32 | 22,48 | | |
| HGX8/3220-4 ¹⁾ HGX8/3220-4 S ¹⁾ | 30 | Q | 299972 | 277577 | 236052 | 199764 | 165297 | 135207 | 109154 | 86797 | 67796 | 51812 | 38503 | 27530 |
| | | P | 66,91 | 66,12 | 63,90 | 63,87 | 59,10 | 54,07 | 48,87 | 43,59 | 38,29 | 33,07 | 28,00 | 23,17 |
| | 40 | Q | 260037 | 240407 | 204062 | 170917 | 141015 | 114985 | 92486 | 73180 | 56724 | 42781 | 31008 | 21066 |
| | P | 81,79 | 79,73 | 75,15 | 71,84 | 65,49 | 59,02 | 52,53 | 46,09 | 39,78 | 33,68 | 27,88 | 22,45 | |
| | 50 | Q | 217197 | 200466 | 169563 | 141839 | 116555 | 94639 | 75750 | 59548 | 45693 | 33845 | 23663 | |
| | P | 93,49 | 90,33 | 83,69 | 78,71 | 70,87 | 63,06 | 55,36 | 47,84 | 40,60 | 33,72 | 27,26 | | |

Relating to 20 °C suction gas temp. without liquid subcooling

¹⁾ Compressors (R404A) are ASERCOM certified



Motor version -S- (more powerful motor)

Supplementary cooling or reduced suction gas temp.

| R407C | | Performance data | | | | | | | | | | 50 Hz |
|---------------|----------------|------------------|----------------------------------|--------|--------|--------|--------|--------|-------|-------|------------------------------|-------|
| Type | Cond. temp. °C | | Cooling capacity \dot{Q}_0 [W] | | | | | | | | Power consumption P_e [kW] | |
| | | | Evaporating temperature °C | | | | | | | | | |
| | | | 12,5 | 10 | 7,5 | 5 | 0 | -5 | -10 | -15 | -20 | -25 |
| HGX4/465-4 | 30 | Q | 52241 | 47689 | 43438 | 39475 | 32358 | 27293 | 21900 | 17313 | 13459 | 10267 |
| | | P | 7,84 | 7,76 | 7,67 | 7,56 | 7,31 | 7,08 | 6,58 | 6,02 | 5,42 | 4,78 |
| HGX4/465-4 S | 40 | Q | 45881 | 41827 | 38049 | 34532 | 28226 | 23704 | 18952 | 14925 | 11550 | 8752 |
| | | P | 9,73 | 9,55 | 9,36 | 9,16 | 8,69 | 8,14 | 7,40 | 6,63 | 5,84 | 5,03 |
| | 50 | Q | 39635 | 36073 | 32759 | 29681 | 24173 | 20139 | 16049 | 12600 | 9721 | 7338 |
| | | P | 11,44 | 11,16 | 10,86 | 10,55 | 9,85 | 9,12 | 8,14 | 7,16 | 6,17 | 5,19 |
| HGX4/555-4 | 30 | Q | 62010 | 56703 | 51739 | 47101 | 38751 | 31207 | 25091 | 19907 | 15531 | 11833 |
| | | P | 9,36 | 9,30 | 9,22 | 9,12 | 8,84 | 8,53 | 7,92 | 7,29 | 6,62 | 5,87 |
| HGX4/555-4 S | 40 | Q | 54852 | 50089 | 45636 | 41481 | 34003 | 27316 | 21859 | 17204 | 13225 | 9795 |
| | | P | 11,45 | 11,27 | 11,07 | 10,84 | 10,31 | 9,88 | 9,02 | 8,13 | 7,19 | 6,18 |
| | 50 | Q | 47717 | 43491 | 39547 | 35869 | 29256 | 23377 | 18539 | 14373 | 10752 | 7550 |
| | | P | 13,51 | 13,20 | 12,86 | 12,49 | 11,67 | 11,13 | 9,97 | 8,78 | 7,52 | 6,17 |
| HGX4/650-4 | 30 | Q | 73505 | 67118 | 61158 | 55607 | 45658 | 36887 | 29718 | 23650 | 18538 | 14235 |
| | | P | 11,85 | 11,66 | 11,45 | 11,22 | 10,68 | 10,03 | 9,28 | 8,56 | 7,80 | 6,95 |
| HGX4/650-4 S | 40 | Q | 64535 | 58930 | 53705 | 48840 | 40118 | 32465 | 26041 | 20581 | 15939 | 11970 |
| | | P | 14,25 | 13,95 | 13,62 | 13,26 | 12,48 | 11,59 | 10,60 | 9,60 | 8,54 | 7,35 |
| | 50 | Q | 55792 | 50933 | 46405 | 42188 | 34616 | 27833 | 22140 | 17274 | 13090 | 9442 |
| | | P | 16,75 | 16,31 | 15,84 | 15,34 | 14,26 | 13,13 | 11,79 | 10,42 | 8,96 | 7,34 |
| HGX5/725-4 | 30 | Q | 82066 | 75111 | 68581 | 62458 | 51370 | 41718 | 33371 | 26199 | 20072 | 14859 |
| | | P | 12,72 | 12,43 | 12,13 | 11,81 | 11,13 | 10,38 | 9,57 | 8,68 | 7,72 | 6,69 |
| HGX5/725-4 S | 40 | Q | 73653 | 67297 | 61341 | 55769 | 45715 | 37005 | 29506 | 23091 | 17627 | 12986 |
| | | P | 15,09 | 14,67 | 14,23 | 13,79 | 12,86 | 11,88 | 10,85 | 9,75 | 8,60 | 7,39 |
| | 50 | Q | 64721 | 58974 | 53605 | 48597 | 39600 | 31854 | 25228 | 19592 | 14817 | 10770 |
| | | P | 17,35 | 16,80 | 16,24 | 15,67 | 14,50 | 13,30 | 12,06 | 10,77 | 9,44 | 8,06 |
| HGX5/830-4 | 30 | Q | 94208 | 86225 | 78728 | 71699 | 58971 | 47891 | 38309 | 30076 | 23042 | 17057 |
| | | P | 14,60 | 14,27 | 13,92 | 13,56 | 12,78 | 11,92 | 10,99 | 9,97 | 8,87 | 7,68 |
| HGX5/830-4 S | 40 | Q | 84551 | 77254 | 70417 | 64021 | 52480 | 42480 | 33872 | 26507 | 20235 | 14907 |
| | | P | 17,32 | 16,84 | 16,34 | 15,83 | 14,76 | 13,64 | 12,45 | 11,20 | 9,88 | 8,48 |
| | 50 | Q | 74298 | 67700 | 61536 | 55787 | 45459 | 36567 | 28961 | 22491 | 17009 | 12364 |
| | | P | 19,92 | 19,28 | 18,64 | 17,99 | 16,65 | 15,27 | 13,84 | 12,37 | 10,84 | 9,25 |
| HGX5/945-4 | 30 | Q | 107188 | 98104 | 89575 | 81578 | 67096 | 54489 | 43587 | 34219 | 26216 | 19407 |
| | | P | 16,61 | 16,23 | 15,84 | 15,43 | 14,54 | 13,56 | 12,50 | 11,34 | 10,09 | 8,74 |
| HGX5/945-4 S | 40 | Q | 96200 | 87898 | 80118 | 72842 | 59710 | 48332 | 38539 | 30159 | 23023 | 16961 |
| | | P | 19,71 | 19,16 | 18,59 | 18,01 | 16,80 | 15,52 | 14,17 | 12,74 | 11,24 | 9,65 |
| | 50 | Q | 84534 | 77027 | 70014 | 63473 | 51722 | 41605 | 32951 | 25590 | 19352 | 14068 |
| | | P | 22,66 | 21,94 | 21,21 | 20,46 | 18,94 | 17,37 | 15,75 | 14,07 | 12,33 | 10,53 |
| HGX6/1080-4 | 30 | Q | 122447 | 112071 | 102327 | 93191 | 76648 | 62246 | 49792 | 39091 | 29948 | 22170 |
| | | P | 18,97 | 18,55 | 18,10 | 17,62 | 16,61 | 15,49 | 14,28 | 12,96 | 11,53 | 9,98 |
| HGX6/1080-4 S | 40 | Q | 109895 | 100411 | 91524 | 83211 | 68210 | 55213 | 44025 | 34453 | 26301 | 19376 |
| | | P | 22,51 | 21,88 | 21,24 | 20,57 | 19,19 | 17,72 | 16,18 | 14,55 | 12,84 | 11,02 |
| | 50 | Q | 96568 | 87993 | 79981 | 72509 | 59085 | 47528 | 37642 | 29233 | 22107 | 16070 |
| | | P | 25,89 | 25,06 | 24,23 | 23,38 | 21,64 | 19,85 | 17,99 | 16,08 | 14,09 | 12,03 |
| HGX6/1240-4 | 30 | Q | 140564 | 128652 | 117467 | 106980 | 87989 | 71456 | 57159 | 44875 | 34379 | 25450 |
| | | P | 21,78 | 20,23 | 20,77 | 20,23 | 19,06 | 17,79 | 16,39 | 14,88 | 13,23 | 11,46 |
| HGX6/1240-4 S | 40 | Q | 25450 | 115267 | 105066 | 95523 | 78303 | 63382 | 50539 | 39550 | 30193 | 22243 |
| | | P | 11,46 | 25,12 | 24,38 | 23,61 | 22,02 | 20,35 | 18,58 | 16,71 | 14,74 | 12,65 |
| | 50 | Q | 110857 | 101013 | 91815 | 83238 | 67828 | 54560 | 43211 | 33558 | 2538 | 18448 |
| | | P | 29,72 | 28,77 | 27,81 | 26,84 | 24,84 | 22,78 | 20,66 | 18,45 | 16,17 | 13,81 |
| HGX6/1410-4 | 30 | Q | 159931 | 146378 | 133651 | 121719 | 100112 | 81301 | 65035 | 51058 | 39116 | 28957 |
| | | P | 24,78 | 24,22 | 23,64 | 23,02 | 21,69 | 20,24 | 18,65 | 16,92 | 15,05 | 13,03 |
| HGX6/1410-4 S | 40 | Q | 143537 | 131149 | 119452 | 108684 | 89091 | 72115 | 57503 | 45000 | 34352 | 25307 |
| | | P | 29,40 | 28,58 | 27,74 | 26,87 | 25,06 | 23,15 | 21,14 | 19,01 | 16,77 | 14,4 |
| | 50 | Q | 126130 | 114930 | 104466 | 94706 | 77173 | 62077 | 49165 | 38182 | 28875 | 20990 |
| | | P | 33,81 | 32,73 | 31,64 | 30,53 | 28,26 | 25,92 | 23,50 | 21,00 | 18,40 | 15,71 |
| HGX7/1620-4 | 30 | Q | 176654 | 161203 | 146809 | 133424 | 109484 | 88991 | 71553 | 56778 | 44276 | 33654 |
| | | P | 28,74 | 28,45 | 28,06 | 27,56 | 26,30 | 24,73 | 22,92 | 20,92 | 18,79 | 16,61 |
| HGX7/1620-4 S | 40 | Q | 156630 | 142783 | 129901 | 117934 | 96552 | 78246 | 62623 | 49292 | 37862 | 27940 |
| | | P | 35,77 | 34,91 | 33,96 | 32,93 | 30,69 | 28,23 | 25,62 | 22,93 | 20,21 | 17,53 |
| | 50 | Q | 136448 | 124231 | 112886 | 102364 | 83592 | 67524 | 53768 | 41933 | 31626 | 22457 |
| | | P | 42,12 | 40,70 | 39,22 | 37,69 | 34,51 | 31,21 | 27,86 | 24,53 | 21,26 | 18,13 |
| HGX7/1860-4 | 30 | Q | 202792 | 185054 | 168531 | 153166 | 125683 | 102158 | 82139 | 65179 | 50827 | 38633 |
| | | P | 32,99 | 32,66 | 32,21 | 31,64 | 30,19 | 28,39 | 26,31 | 24,01 | 21,57 | 19,07 |
| HGX7/1860-4 S | 40 | Q | 179805 | 163909 | 149121 | 135384 | 110838 | 89823 | 71888 | 56585 | 43464 | 32074 |
| | | P | 41,07 | 40,07 | 38,98 | 37,81 | 35,23 | 32,40 | 29,41 | 26,32 | 23,20 | 20,13 |
| | 50 | Q | 156636 | 142612 | 129589 | 117510 | 95960 | 77515 | 61724 | 48137 | 36305 | 25779 |
| | | P | 48,35 | 46,72 | 45,03 | 43,27 | 39,61 | 35,83 | 31,99 | 28,15 | 24,41 | 20,82 |



- 1
- 2
- 3
- 4

Relating to 25 °C suction gas temperature (HGX4 to 20 °C suction gas temperature) without liquid subcooling


Motor version -S- (more powerful motor)

Supplementary cooling or reduced suction gas temp.

| R22 | | Performance data | | | | | | | | | | | | | 50 Hz | | |
|--------------|----------------|------------------|----------------------------------|--------|--------|--------|--------|--------|--------|-------|-------|-------|------------------------------|-------|-------|-------|-------|
| Type | Cond. temp. °C | Q P | Cooling capacity \dot{Q}_o [W] | | | | | | | | | | Power consumption P_e [kW] | | | | |
| | | | Evaporating temperature °C | | | | | | | | | | | | | | |
| | | | 12,5 | 10 | 7,5 | 5 | 0 | -5 | -10 | -15 | -20 | -25 | -30 | -35 | -45 | | |
| HA5/945-4 | 30 | Q | | | | | | | | | | | 33374 | 26174 | 20007 | 14774 | 10374 |
| | | P | | | | | | | | | | | 11,64 | 10,78 | 9,78 | 8,61 | 7,24 |
| | 40 | Q | | | | | | | | | | | 29594 | 22995 | 17376 | 12635 | 8674 |
| | | P | | | | | | | | | | 13,35 | 12,14 | 10,75 | 9,15 | 7,32 | |
| | 50 | Q | | | | | | | | | | | 19387 | 14394 | 10227 | 6786 | |
| | | P | | | | | | | | | | | 13,04 | 11,20 | 9,12 | 6,77 | |
| HG6/1080-4 | 30 | Q | 129363 | 119434 | 110034 | 101145 | 84833 | 70357 | 57581 | 46365 | 36571 | 28059 | 20692 | 14330 | | | |
| | | P | 18,28 | 18,00 | 17,72 | 17,43 | 16,80 | 16,10 | 15,29 | 14,33 | 13,22 | 11,91 | 10,38 | 8,61 | | | |
| | 40 | Q | 118019 | 108844 | 100169 | 91976 | 76968 | 63681 | 51978 | 41719 | 32765 | 24979 | 18221 | 12352 | | | |
| HG6/1080-4 S | | P | 22,56 | 22,15 | 21,72 | 21,28 | 20,33 | 19,27 | 18,07 | 16,71 | 15,16 | 13,38 | 11,36 | 9,06 | | | |
| | 50 | Q | 104781 | 96450 | 88589 | 81182 | 67658 | 55740 | 45289 | 36167 | 28234 | 21352 | | | | | |
| | | P | 26,66 | 26,07 | 25,47 | 24,83 | 23,49 | 22,00 | 20,35 | 18,51 | 16,44 | 14,13 | | | | | |
| HA6/1080-4 | 30 | Q | | | | | | | | | | | 37747 | 29595 | 22620 | 16702 | 11720 |
| | | P | | | | | | | | | | | 12,65 | 11,26 | 9,89 | 8,49 | 7,05 |
| | 40 | Q | | | | | | | | | | | 33470 | 26012 | 19664 | 14306 | 9816 |
| | | P | | | | | | | | | | 14,58 | 12,95 | 11,30 | 9,62 | 7,86 | |
| | 50 | Q | | | | | | | | | | | 28580 | 21920 | 16301 | 11605 | 7710 |
| | | P | | | | | | | | | | | 16,24 | 14,31 | 12,36 | 10,34 | 8,23 |
| HG6/1240-4 | 30 | Q | 148504 | 137106 | 126315 | 116111 | 97384 | 80768 | 66101 | 53225 | 41982 | 32211 | 23754 | 16451 | | | |
| | | P | 20,98 | 20,66 | 20,34 | 20,01 | 19,29 | 18,48 | 17,55 | 16,45 | 15,17 | 13,67 | 11,92 | 9,88 | | | |
| | 40 | Q | 135481 | 124948 | 114989 | 105584 | 88356 | 73103 | 59668 | 47891 | 37613 | 28675 | 20917 | 14180 | | | |
| HG6/1240-4 S | | P | 25,90 | 25,43 | 24,94 | 24,43 | 23,34 | 22,12 | 20,75 | 19,18 | 17,40 | 15,36 | 13,04 | 10,40 | | | |
| | 50 | Q | 120284 | 110720 | 101696 | 93193 | 77669 | 63987 | 51990 | 41518 | 32411 | 24511 | | | | | |
| | | P | 30,61 | 29,93 | 29,23 | 28,51 | 26,96 | 25,26 | 23,36 | 21,25 | 18,88 | 16,22 | | | | | |
| HA6/1240-4 | 30 | Q | | | | | | | | | | | 43328 | 33978 | 25970 | 19174 | 13463 |
| | | P | | | | | | | | | | | 14,52 | 12,92 | 11,35 | 9,75 | 8,10 |
| | 40 | Q | | | | | | | | | | | 38417 | 29848 | 22551 | 16399 | 11262 |
| | | P | | | | | | | | | | 16,74 | 14,87 | 12,98 | 11,05 | 9,03 | |
| | 50 | Q | | | | | | | | | | | 32848 | 25165 | 18685 | 13281 | 8824 |
| | | P | | | | | | | | | | | 18,64 | 16,44 | 14,20 | 11,89 | 9,46 |
| HG6/1410-4 | 30 | Q | 168964 | 155996 | 143718 | 132108 | 110802 | 91895 | 75208 | 60559 | 47766 | 36649 | 27026 | 18717 | | | |
| | | P | 23,87 | 23,51 | 23,14 | 22,77 | 21,95 | 21,03 | 19,96 | 18,72 | 17,26 | 15,56 | 13,56 | 11,24 | | | |
| | 40 | Q | 154147 | 142163 | 130832 | 120131 | 100529 | 83176 | 67889 | 54490 | 42796 | 32626 | 23799 | 16134 | | | |
| HG6/1410-4 S | | P | 29,47 | 28,93 | 28,37 | 27,80 | 26,55 | 25,17 | 23,61 | 21,83 | 19,80 | 17,48 | 14,84 | 11,83 | | | |
| | 50 | Q | 136857 | 125975 | 115708 | 106033 | 88370 | 72803 | 59153 | 47238 | 36877 | 27889 | | | | | |
| | | P | 34,82 | 34,06 | 33,26 | 32,44 | 30,67 | 28,73 | 26,58 | 24,17 | 21,48 | 18,46 | | | | | |
| HA6/1410-4 | 30 | Q | | | | | | | | | | | 38625 | 29529 | 21803 | 15324 | |
| | | P | | | | | | | | | | | 14,69 | 12,90 | 11,08 | 9,20 | |
| | 40 | Q | | | | | | | | | | | | 25605 | 18595 | 12767 | |
| | | P | | | | | | | | | | | 14,77 | 12,57 | 10,28 | | |
| | 50 | Q | | | | | | | | | | | | | 15015 | 9929 | |
| | | P | | | | | | | | | | | | | 13,54 | 10,78 | |
| HG7/1620-4 | 30 | Q | 178802 | 164852 | 151711 | 139349 | 116850 | 97132 | 79968 | 65133 | 52401 | 41547 | 32345 | 24570 | | | |
| | | P | 23,29 | 24,07 | 24,65 | 25,03 | 25,25 | 24,85 | 23,94 | 22,64 | 21,04 | 19,26 | 17,42 | 15,60 | | | |
| | 40 | Q | 163682 | 150728 | 138537 | 127084 | 106272 | 88068 | 72246 | 58580 | 46844 | 36813 | 28261 | 20963 | | | |
| HG7/1620-4 S | | P | 31,23 | 31,46 | 31,51 | 31,39 | 30,68 | 29,46 | 27,83 | 25,89 | 23,77 | 21,56 | 19,38 | 17,34 | | | |
| | 50 | Q | 148020 | 136086 | 124873 | 114354 | 95282 | 78644 | 64215 | 51770 | 41082 | 31926 | | | | | |
| | | P | 38,75 | 38,45 | 37,98 | 37,37 | 35,77 | 33,74 | 31,41 | 28,87 | 26,24 | 23,62 | | | | | |
| HG7/1860-4 | 30 | Q | 205257 | 189244 | 174158 | 159966 | 134139 | 111504 | 91800 | 74770 | 60154 | 47694 | 37131 | 28205 | | | |
| | | P | 26,74 | 27,64 | 28,29 | 28,73 | 28,98 | 28,53 | 27,49 | 25,99 | 24,16 | 22,11 | 19,99 | 17,91 | | | |
| | 40 | Q | 187901 | 173029 | 159035 | 145887 | 121996 | 101099 | 82935 | 67247 | 53775 | 42259 | 32442 | 24065 | | | |
| HG7/1860-4 S | | P | 35,85 | 36,12 | 36,17 | 36,03 | 35,22 | 33,82 | 31,94 | 29,72 | 27,28 | 24,75 | 22,25 | 19,90 | | | |
| | 50 | Q | 169921 | 156221 | 143350 | 131274 | 109380 | 90280 | 73717 | 59429 | 47160 | 36649 | | | | | |
| | | P | 44,49 | 44,14 | 43,60 | 42,90 | 41,06 | 38,73 | 36,05 | 33,14 | 30,12 | 27,12 | | | | | |
| HG7/2110-4 | 30 | Q | 233537 | 215317 | 198153 | 182006 | 152621 | 126866 | 104448 | 85072 | 68442 | 54266 | 42247 | 32091 | | | |
| | | P | 30,42 | 31,44 | 32,19 | 32,69 | 32,98 | 32,46 | 31,27 | 29,57 | 27,48 | 25,16 | 22,75 | 20,38 | | | |
| | 40 | Q | 213789 | 196869 | 180947 | 165987 | 138805 | 115028 | 94362 | 76512 | 61184 | 48082 | 36912 | 27380 | | | |
| HG7/2110-4 S | | P | 40,79 | 41,09 | 41,16 | 41,00 | 40,08 | 38,48 | 36,35 | 33,82 | 31,04 | 28,16 | 25,31 | 22,64 | | | |
| | 50 | Q | 193332 | 177745 | 163100 | 149360 | 124450 | 102719 | 83873 | 67618 | 53658 | 41699 | | | | | |
| | | P | 50,62 | 50,22 | 49,61 | 48,81 | 46,72 | 44,07 | 41,02 | 37,70 | 34,27 | 30,85 | | | | | |

 HG Supplementary cooling or red. suction gas temp.
 HA reduced suction gas temp.

Relating to 25 °C suction gas temperature, without liquid subcooling

 Motor version -S- (more powerful motor)

 Supplementary cooling and red. suction gas temp.

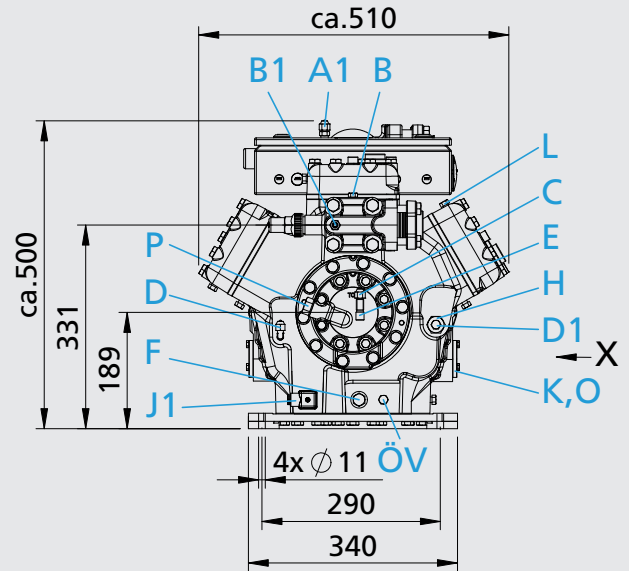
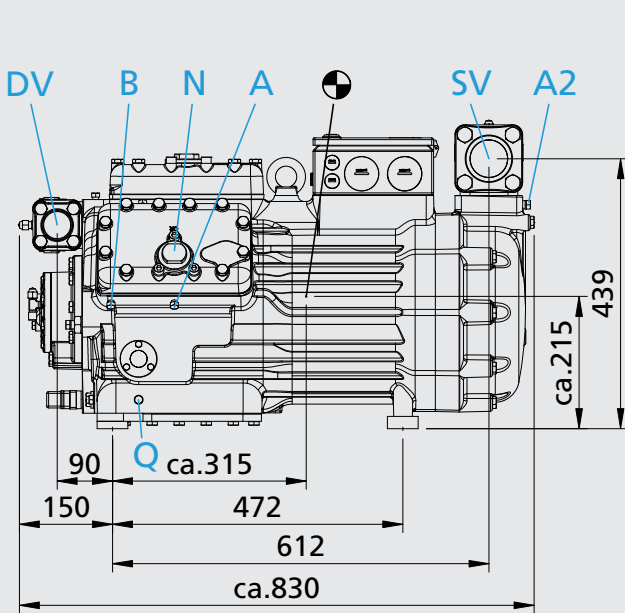
| HG | Number of cylinders | Displacement 50 / 60 Hz (1450/1740 rpm) | Electrical data | | | | Weight | Connections ⑥ | | Oil charge |
|---------------------|---------------------|---|-----------------|----------------------|------------------------|---------------------------------|------------|-------------------|-------------------|------------|
| | | | Voltage | Max. working current | Max. power consumption | Starting current (rotor locked) | | Discharge line DV | Suction line SV | |
| | | | | | | | | | | |
| Type | | m³/h | | A | kW | A | kg | mm l inch | mm l inch | Ltr. |
| HG12P/60-4 S | 2 | 5,40 / 6,40 | ③ | 6,8 / 3,9 | 2,2 | 40 / 23 | 48,0 | 12 1/2 | 16 5/8 | 0,8 |
| HG12P/75-4 | 2 | 6,70 / 8,10 | ③ | 7,1 / 4,1 | 2,3 | 40 / 23 | 48,0 | 12 1/2 | 16 5/8 | 0,8 |
| HG12P/75-4 S | 2 | 6,70 / 8,10 | ③ | 8,0 / 4,6 | 2,6 | 43 / 25 | 49,0 | 12 1/2 | 16 5/8 | 0,8 |
| HG12P/90-4 | 2 | 8,00 / 9,60 | ③ | 8,5 / 4,9 | 2,8 | 43 / 25 | 49,0 | 12 1/2 | 16 5/8 | 0,8 |
| HG12P/90-4 S | 2 | 8,00 / 9,60 | ③ | 8,8 / 5,1 | 2,9 | 45 / 26 | 49,0 | 12 1/2 | 16 5/8 | 0,8 |
| HG12P/110-4 | 2 | 9,40 / 11,30 | ③ | 9,2 / 5,3 | 3,1 | 43 / 25 | 49,0 | 12 1/2 | 16 5/8 | 0,8 |
| HG12P/110-4 S | 2 | 9,40 / 11,30 | ③ | 10,6 / 6,1 | 3,6 | 45 / 26 | 49,0 | 12 1/2 | 16 5/8 | 0,8 |
| HG22e/125-4 | 2 | 11,10 / 13,30 | ③ | 9,3 / 5,4 | 3,0 | 69 / 40 | 74,0 | 16 5/8 | 22 7/8 | 1,0 |
| HG22e/125-4 S | 2 | 11,10 / 13,30 | ③ | 10,8 / 6,2 | 3,6 | 69 / 40 | 74,0 | 16 5/8 | 22 7/8 | 1,0 |
| HG22e/160-4 | 2 | 13,70 / 16,40 | ③ | 11,1 / 6,4 | 3,7 | 69 / 40 | 74,0 | 16 5/8 | 22 7/8 | 1,0 |
| HG22e/160-4 S | 2 | 13,70 / 16,40 | ③ | 13,1 / 7,6 | 4,4 | 87 / 50 | 76,0 | 16 5/8 | 22 7/8 | 1,0 |
| HG22e/190-4 | 2 | 16,50 / 19,80 | ③ | 13,8 / 8,0 | 4,8 | 69 / 40 | 74,0 | 16 5/8 | 22 7/8 | 1,0 |
| HG22e/190-4 S | 2 | 16,50 / 19,80 | ③ | 16,2 / 9,4 | 5,6 | 87 / 50 | 75,0 | 16 5/8 | 22 7/8 | 1,0 |
| HG34e/215-4 | 4 | 18,80 / 22,60 | ③ | 14,0 / 8,1 | 4,8 | 87 / 50 | 92,0 | 22 7/8 | 28 1 1/8 | 1,3 |
| HG34e/215-4 S | 4 | 18,80 / 22,60 | ③ | 18,3 / 10,5 | 6,0 | 132 / 76 | 97,0 | 22 7/8 | 28 1 1/8 | 1,3 |
| HG34e/255-4 | 4 | 22,10 / 26,60 | ③ | 17,0 / 9,8 | 6,0 | 87 / 50 | 91,0 | 22 7/8 | 28 1 1/8 | 1,3 |
| HG34e/255-4 S | 4 | 22,10 / 26,60 | ③ | 21,1 / 12,2 | 7,2 | 132 / 76 | 96,0 | 22 7/8 | 28 1 1/8 | 1,3 |
| HG34e/315-4 | 4 | 27,30 / 32,80 | ③ | 21,1 / 12,2 | 7,4 | 111 / 64 | 94,0 | 22 7/8 | 28 1 1/8 | 1,3 |
| HG34e/315-4 S | 4 | 27,30 / 32,80 | ③ | 25,5 / 14,7 | 8,9 | 132 / 76 | 97,0 | 22 7/8 | 28 1 1/8 | 1,3 |
| HG34e/380-4 | 4 | 33,10 / 39,70 | ③ | 26,1 / 15,1 | 9,3 | 111 / 64 | 93,0 | 22 7/8 | 28 1 1/8 | 1,3 |
| HG34e/380-4 S | 4 | 33,10 / 39,70 | ③ | 31,2 / 18,0 | 11,1 | 132 / 76 | 96,0 | 22 7/8 | 28 1 1/8 | 1,3 |
| | | | | *PW 1+2 | | *PW1 / PW 1+2 | | | | |
| HG4/465-4 | 4 | 40,50 / 48,60 | ④ | 18 | 11,0 | 57 / 75 | 148 | 28 / 1 1/8 | 35 / 1 3/8 | 2,7 |
| HG4/465-4 S | 4 | 40,50 / 48,60 | ④ | 27 | 13,0 | 82 / 107 | 151 | 28 / 1 1/8 | 35 / 1 3/8 | 2,7 |
| HG4/555-4 | 4 | 48,20 / 57,80 | ④ | 27 | 12,9 | 82 / 107 | 150 | 28 / 1 1/8 | 35 / 1 3/8 | 2,7 |
| HG4/555-4 S | 4 | 48,20 / 57,80 | ④ | 34 | 15,2 | 107 / 140 | 153 | 28 / 1 1/8 | 35 / 1 3/8 | 2,7 |
| HG4/650-4 | 4 | 56,60 / 67,90 | ④ | 27 | 15,7 | 82 / 107 | 152 | 28 / 1 1/8 | 42 / 1 5/8 | 2,7 |
| HG4/650-4 S | 4 | 56,60 / 67,90 | ④ | 34 | 18,4 | 107 / 140 | 155 | 28 / 1 1/8 | 42 / 1 5/8 | 2,7 |
| HG5/725-4 | 4 | 62,90 / 75,50 | ④ | 33 | 16,5 | 82 / 107 | 198 | 28 / 1 1/8 | 42 / 1 5/8 | 3,6 |
| HG5/725-4 S | 4 | 62,90 / 75,50 | ④ | 37 | 19,4 | 107 / 140 | 201 | 28 / 1 1/8 | 42 / 1 5/8 | 3,6 |
| HG5/830-4 | 4 | 72,20 / 86,70 | ④ | 33 | 18,9 | 82 / 107 | 197 | 28 / 1 1/8 | 42 / 1 5/8 | 3,6 |
| HG5/830-4 S | 4 | 72,20 / 86,70 | ④ | 49 | 22,3 | 126 / 160 | 203 | 28 / 1 1/8 | 42 / 1 5/8 | 3,6 |
| HG5/945-4 | 4 | 82,20 / 98,60 | ④ | 37 | 22,6 | 107 / 140 | 201 | 35 / 1 3/8 | 54 / 2 1/8 | 3,6 |
| HG5/945-4 S | 4 | 82,20 / 98,60 | ④ | 49 | 28,6 | 126 / 160 | 205 | 35 / 1 3/8 | 54 / 2 1/8 | 3,6 |
| HG6/1080-4 | 4 | 93,70 / 112,40 | ④ | 47 | 26,3 | 149 / 189 | 218 | 35 / 1 3/8 | 54 / 2 1/8 | 3,6 |
| HG6/1080-4 S | 4 | 93,70 / 112,40 | ④ | 57 | 31,0 | 172 / 212 | 223 | 35 / 1 3/8 | 54 / 2 1/8 | 3,6 |
| HG6/1240-4 | 4 | 107,60 / 129,10 | ④ | 57 | 30,5 | 172 / 212 | 222 | 35 / 1 3/8 | 54 / 2 1/8 | 3,6 |
| HG6/1240-4 S | 4 | 107,60 / 129,10 | ④ | 71 | 36,0 | 204 / 250 | 224 | 35 / 1 3/8 | 54 / 2 1/8 | 3,6 |
| HG6/1410-4 | 4 | 122,40 / 146,90 | ④ | 57 | 35,6 | 172 / 212 | 219 | 35 / 1 3/8 | 54 / 2 1/8 | 3,6 |
| HG6/1410-4 S | 4 | 122,40 / 146,90 | ④ | 71 | 42,6 | 204 / 250 | 222 | 35 / 1 3/8 | 54 / 2 1/8 | 3,6 |
| HG7/1620-4 | 6 | 140,60 / 168,80 | ⑤ | 76 | 38,7 | 223 / 340 | 278 | 42 / 1 5/8 | 54 / 2 1/8 | 4,5 |
| HG7/1620-4 S | 6 | 140,60 / 168,80 | ⑤ | 83 | 46,3 | 268 / 373 | 299 | 42 / 1 5/8 | 54 / 2 1/8 | 4,5 |
| HG7/1860-4 | 6 | 161,40 / 193,70 | ⑤ | 83 | 44,6 | 268 / 373 | 296 | 42 / 1 5/8 | 54 / 2 1/8 | 4,5 |
| HG7/1860-4 S | 6 | 161,40 / 193,70 | ⑤ | 98 | 53,3 | 343 / 494 | 292 | 42 / 1 5/8 | 54 / 2 1/8 | 4,5 |
| HG7/2110-4 | 6 | 183,60 / 220,30 | ⑤ | 98 | 51,2 | 343 / 494 | 289 | 42 / 1 5/8 | 64 / 2 5/8 | 4,5 |
| HG7/2110-4 S | 6 | 183,60 / 220,30 | ⑤ | 115 | 60,5 | 344 / 500 | 297 | 42 / 1 5/8 | 64 / 2 5/8 | 4,5 |
| HG8/2470-4 | 8 | 214,30 / 257,10 | ⑤ | 102 | 60,0 | 274 / 301 | 432 | 54 / 2 1/8 | 76 / 3 1/8 | 9,0 |
| HG8/2470-4 S | 8 | 214,30 / 257,10 | ⑤ | 155 | 72,5 | 475 / 551 | 432 | 54 / 2 1/8 | 76 / 3 1/8 | 9,0 |
| HG8/2830-4 | 8 | 245,90 / 295,10 | ⑤ | 155 | 77,5 | 475 / 551 | 429 | 54 / 2 1/8 | 76 / 3 1/8 | 9,0 |
| HG8/2830-4 S | 8 | 245,90 / 295,10 | ⑤ | 170 | 84,5 | 520 / 605 | 449 | 54 / 2 1/8 | 76 / 3 1/8 | 9,0 |
| HG8/3220-4 | 8 | 279,80 / 335,80 | ⑤ | 155 | 78,3 | 475 / 551 | 423 | 54 / 2 1/8 | 76 / 3 1/8 | 9,0 |
| HG8/3220-4 S | 8 | 279,80 / 335,80 | ⑤ | 170 | 94,2 | 520 / 605 | 443 | 54 / 2 1/8 | 76 / 3 1/8 | 9,0 |

HG7

HG7/1620-4
HG7/1620-4 S

HG7/1860-4
HG7/1860-4 S

HG7/2110-4
HG7/2110-4 S



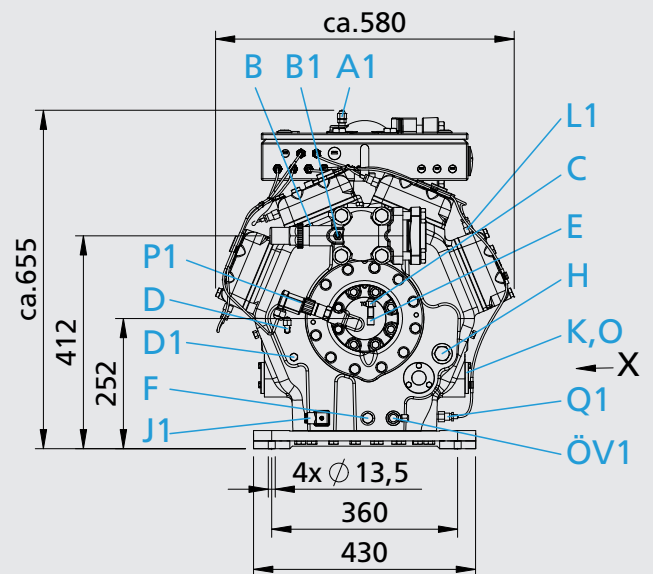
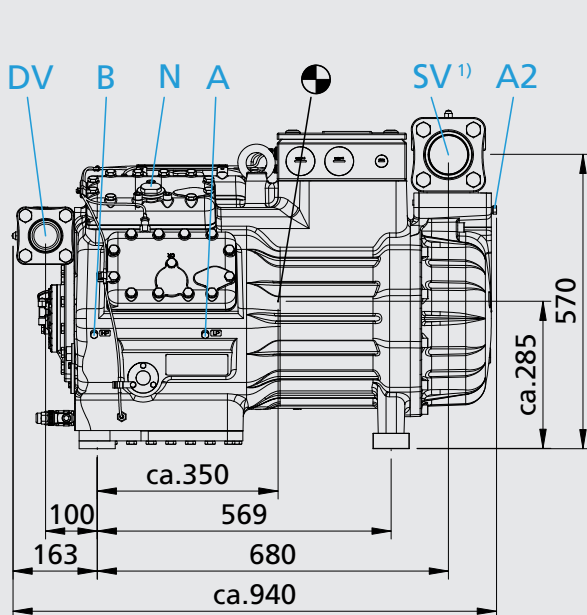
- 1
- 2
- 3
- 4

HG8

HG8/2470-4
HG8/2470-4 S

HG8/2830-4
HG8/2830-4 S

HG8/3220-4
HG8/3220-4 S



Dimensions in mm
 1) Suction cover 90° rotatable
 ☉ Centre of gravity

- Connections see page 54
 - Dimensions for anti-vibration pad see page 51
 - Dimensions for view X see page 51